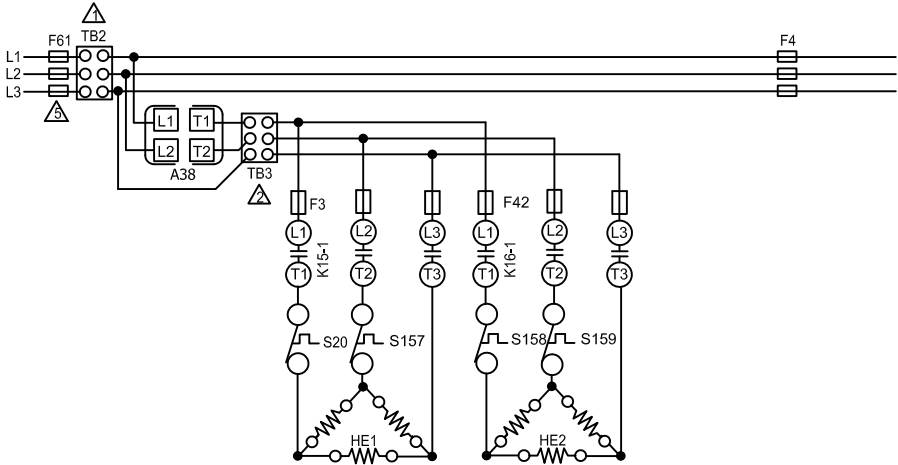


KEY	DESCRIPTION
A38	CONTROL, SCR ELECTRIC HEAT
A55	PANEL MAIN
F3	FUSE, ELECTRIC HEAT 1
F4	FUSE, UNIT
F42	FUSE, ELECTRIC HEAT 2
F43	FUSE, ELECTRIC HEAT 3, 4
F61	FUSE, UNIT - SCCR
F44	FUSE, ELECTRIC HEAT 5
HE1	ELEMENT, ELECTRIC HEAT 1
HE2	ELEMENT, ELECTRIC HEAT 2
K15-1	CONTACTOR, ELECTRIC HEAT 1, 2
K16-1	CONTACTOR, ELECTRIC HEAT 3, 4
S15	SWITCH, LIMIT PRIMARY ELECTRIC HEAT
S19	THERMOSTAT, ELECTRIC HEAT LIMIT
S20	SWITCH, LIMIT SECONDARY ELEC. HEAT 1 (NO RESET)
S157	SWITCH, LIMIT SECONDARY ELEC. HEAT 2 (NO RESET)
S158	SWITCH, LIMIT SECONDARY ELEC. HEAT 3 (NO RESET)
S159	SWITCH, LIMIT SECONDARY ELEC. HEAT 4 (NO RESET)
TB2	TERMINAL STRIP, UNIT
TB3	TERMINAL STRIP, ELECTRIC HEAT
TB36	TERMINAL STRIP, SCR

J/P	JACK/PLUG DESCRIPTION
7	ELECTRIC HEAT SUB BASE KIT


DESIGNATION	VOLTAGE
Y	208-230 / 60 / 3
G	460 / 60 / 3



		SCR AMPS	
KW		208V	240V
15	HE1	40	40
30	HE2	75	75
7.5		30	30
22.5		50	75

- ⚠ TB2, S48 OR CB10 MAY BE USED
- ⚠ TB3 IS USED ON SOME UNITS
- ⚠ S19 IS USED ON HEAT PUMP APPLICATIONS ONLY
- ⚠ REMOVE JUMPER PLUG WHEN FIELD INSTALLING ELECTRIC HEAT
- ⚠ F61 USED ON UNITS WITH SCCR OPTION

← DENOTES OPTIONAL COMPONENTS

2020/10		WIRING DIAGRAM	10/20
		538123-01	
HEATING - ELECTRIC			
SCR ELECTRIC HEAT - THIRD PARTY CONTROLLED			
7.5, 15, 22.5, 30 - Y			
SECTION A			REV 0
Supersedes		New Form No.	
		538123-01	